

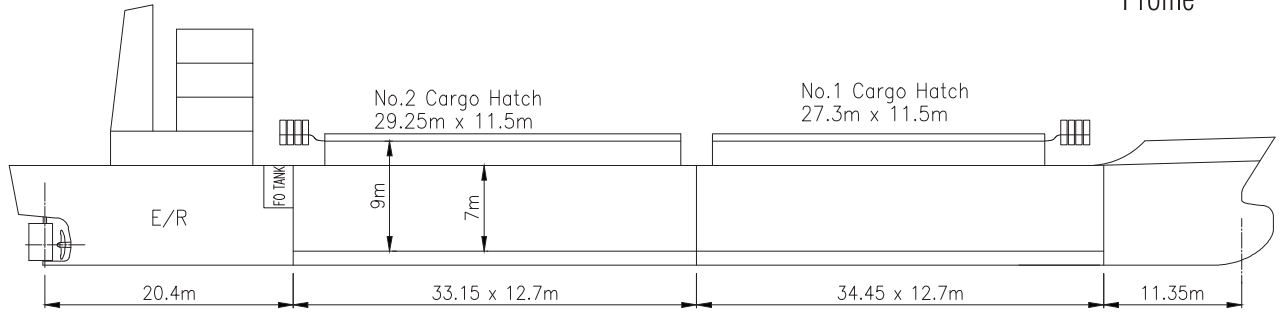
General Cargo Ship - MV. SKY VENUS



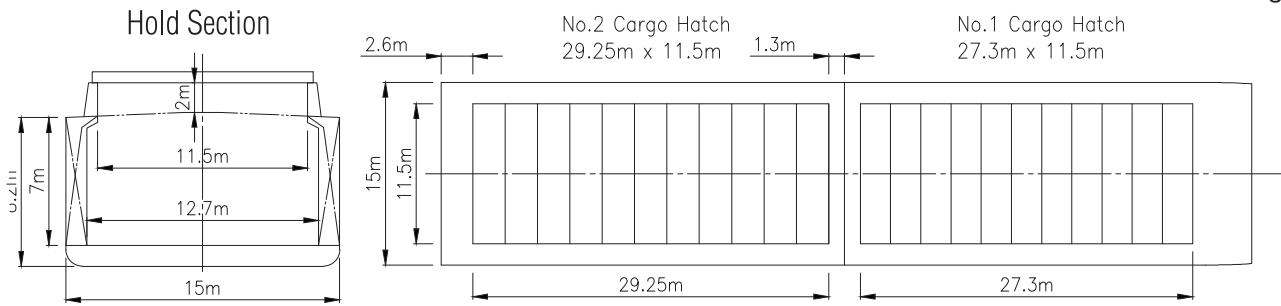
| Ship Name | | MV."SKY VENUS" | |
|------------|-----------------|---------------------|---------------------|
| Built Year | 1994, Japan | Grain/Bale Capacity | 7100/6950CBM |
| Flag | PANAMA | Hatch Cover Type | SINGLE PULL |
| Ship Yard | Imai Shipyard | Hatch Size | NO.1 27.30 × 11.50m |
| P&I Club | Japan P&I | | NO.2 29.50 × 11.50m |
| Class | KR Class | Hold Size | NO.1 34.45 × 12.70m |
| DWT/DWCC | 5800/5600mt | | NO.2 33.15 × 12.70m |
| LOA/B/D | 106.027/15/8.2m | Crane | NIL |
| Draft | 6.15m | Deck | Single Deck |
| Hatch/Hold | 2H/2H, Box Type | Main Engine | HANSHIN 2800PS |

General Cargo Ship - MV. SKY VENUS

Profile



Upper Deck



Lower Hold

